

Please read these instructions carefully and store in a safe place for future reference.

## HALO SHADES

As part of the **Insect-O-Cutor®** brand of insect control products, Halo Shades are a versatile professional flykiller which utilises highly effective UV tubes and is designed for use with a high specification glupac® glueboard. Halo Shades are available in a slimline model which can be wall or desk mounted.

## CONTENTS OF PACKAGE

- 1 x Halo Shades flykiller
- 1 x Glupac® pheromone impregnated glueboard
- 1 x Mains cable
- 1 x Removable aluminium debris tray
- 2 x High powered UV tubes (Fitted)
- 4 x Screws and wall plugs
- 2 x Vertical mount glueboard retaining pins
- 2 x Desk mount feet and feet fixing pins
- 1 x Servicing key fob and mains cable tidy tie wrap wire

WARNING - THIS APPLIANCE MUST BE EARTHED (CLASS 1)

## INSECT CONTROL PRODUCTS

Halo Shades utilise high powered ultra violet tubes to attract flying insects and retains the caught insects on a pheromone impregnated glueboard for inspection or hygienic disposal.

## WARNING

Halo Shades are not to be used by children or persons with reduced physical, sensory or mental capabilities, or lack of experience and knowledge, unless they have been given supervision or instruction.

Children should be supervised to ensure they do not play with the appliance.

If the mains cable is damaged it must be replaced by a specialist mains cable available from Pelsis Ltd or your supplier.

Not suitable for applications where potentially explosive environments may exist.

## POSITIONING AND GUIDANCE FOR USING HALO SHADES

### THIS UNIT IS FOR INDOOR USE ONLY.

Halo Shades should ideally be fixed around two meters above the ground, preferably in the darkest place within the area to be protected. **ENSURE THERE IS A MINIMUM OF 550mm BETWEEN ONE SIDE OF HALO SHADE AND THE ADJACENT SURFACE, TO PROVIDE ENOUGH SPACE TO INSERT THE GLUEBOARD (SEE MOUNTING INSTRUCTIONS.)** Do not position the unit close to windows, skylights or other sources of light, or where it may be obscured by furniture, doors or other obstacles. Ideally, **Halo Shades** should be visible from every part of the area to be protected.

**Halo Shades** should ideally be in operation for 24 hours a day, ensuring your premises are kept free of flying insects. Insects are most attracted to **Halo Shades** at night when there is no competition from daylight or other light sources.

## GUARANTEE

Halo Shades has a three year guarantee and if maintained as recommended in these instructions should continue to work for many years.\* Use of non-approved consumables may invalidate the guarantee. Ensure genuine glupac® glueboards are used in conjunction with this product.

\*Excludes tubes, glueboards and starters. Does not cover breakdown due to misuse, incorrect operation or use in an incorrect application

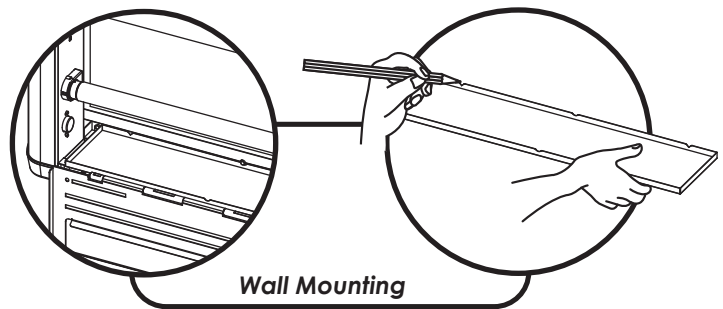
## INSTALLATION

INSTALLATION SHOULD BE CARRIED OUT BY SERVICE PERSONNEL ONLY.

To ensure Halo Shades reach you in perfect condition, a protective film covers the aluminium door. Remove this film before use.

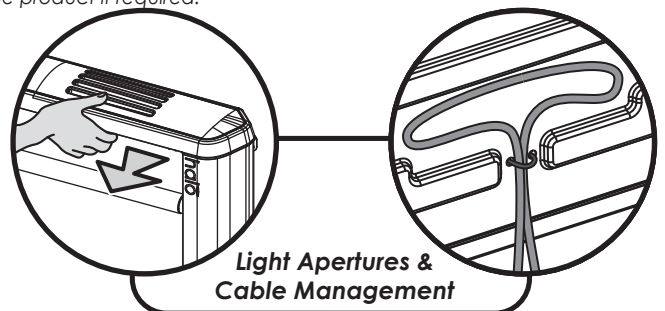
For wall mounting, use the supplied wall mounting plugs and screws, making sure correct wall plugs are used for specialist mounting materials, such as plasterboard.

**Wall Mounting** - Halo Shades can be wall mounted horizontally or vertically. For horizontal mounting use the two inside cut outs on the debris tray to mark the correct wall mounting points. For vertical wall mounting, insert the two large plastic glueboard retaining pins in the two holes on the glueboard runners, to stop the glueboard falling out of the unit. (Supplied in the fixing kit)



**Desk mounting** - Halo Shades can be installed onto a horizontal surface by using the two supplied black steel feet. The feet can be secured in position by using the two large plastic fixing pins. (Supplied in the fixing kit)

Once Halo Shades are installed in position, fit the glupac® glueboard in place as described in the glueboard replacement section of this document. Use the removable mains lead and plug to connect the Halo Shades to an appropriate power supply. Use the supplied black mains cable tidy tie wrap wire to hide any excess mains cable behind the product if required.



To maximise the effectiveness of Halo Shades in catching flying insects, the top of the product has light apertures to increase the UV irradiance emitted from the product. However, these apertures can be covered to protect the glueboard from debris and prolong its life, by simply sliding the reflective aluminium cover forward.

## CLEANING

CLEANING SHOULD BE CARRIED OUT BY SERVICE PERSONNEL ONLY, AFTER ENSURING THAT THE UNIT IS DISCONNECTED FROM THE MAINS SUPPLY.

It is recommended that cleaning is carried out regularly when the glueboard is replaced. Once the glueboard is removed, the unit should be thoroughly wiped down with a damp cloth, removing any build up of dirt. Ensure the unit is completely dry before reconnecting it to the power supply.

## GLUEBOARD REPLACEMENT

GLUEBOARD REPLACEMENT SHOULD BE CARRIED OUT BY SERVICE PERSONNEL ONLY, AFTER ENSURING THAT THE UNIT IS DISCONNECTED FROM THE MAINS SUPPLY.

The glueboard should be replaced every month with a genuine glupac® glueboard. Use of non-approved glueboards may invalidate your guarantee. **Halo Shades** comes supplied with discreet black glueboards with printed grids for simple insect evaluation and monitoring. High efficacy replacement yellow glueboards are available.

To replace the glueboard...

1. Remove the used glupac® glueboard by simply pulling it clear from either the left or right of the unit.
2. Remove the protective release paper from the new glupac® glueboard.
3. Slowly slide the new glupac® glueboard into position, until the glueboard 'drops' into the locator, indicating it is in the centre of the unit.

Always ensure the selected genuine glupac® glueboards are compatible with your unit, available from your pest control operator or Pelsis Ltd.

## TUBE REPLACEMENT

TUBE REPLACEMENT SHOULD BE CARRIED OUT BY SERVICE PERSONNEL ONLY, AFTER ENSURING THAT THE UNIT IS DISCONNECTED FROM THE MAINS SUPPLY.

To ensure the efficiency of Halo Shades in catching flying insects, the UV tubes should be replaced annually. After twelve months the phosphor coating that emits the correct wavelength of UV light has burnt away and the UV output is diminished substantially.

To replace the UV tubes...

1. Open the swing down front guard, by using the supplied servicing key fob.
2. Rotate the tube through 90°, freeing it from the tube holders.
3. Pull the tube away from the chassis.
4. Dispose of the used UV tube in conjunction with local WEEE regulations.

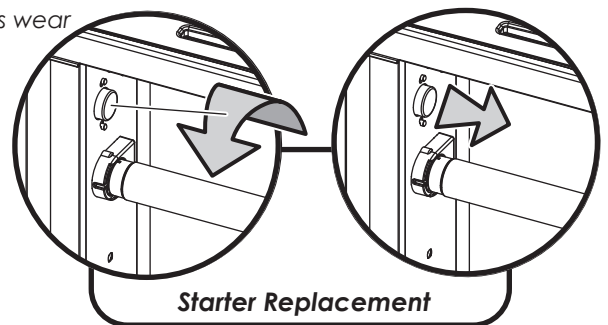
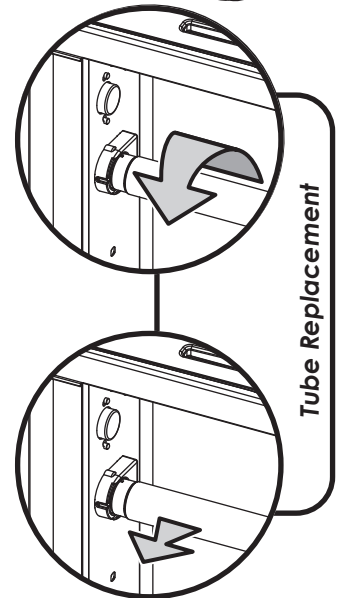
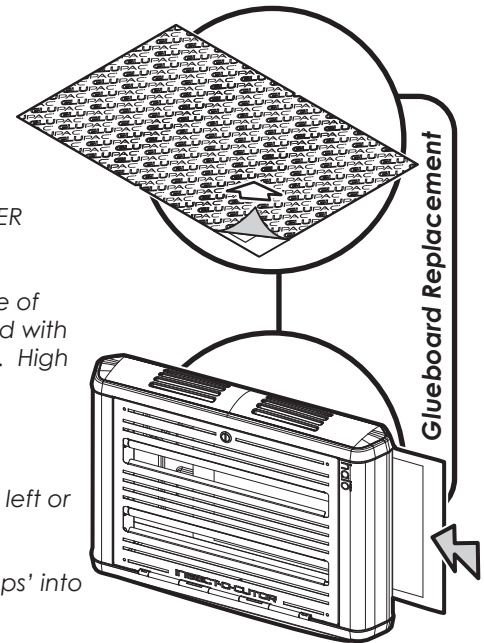
## STARTER REPLACEMENT

STARTER REPLACEMENT SHOULD BE CARRIED OUT BY SERVICE PERSONNEL ONLY, AFTER ENSURING THAT THE UNIT IS DISCONNECTED FROM THE MAINS SUPPLY.

The starters provide an extra spark to initially light the UV tubes. Starters wear out and should be replaced at the same intervals as the UV tubes.

To replace the starters...

1. Rotate the starter anti-clockwise.
2. Pull the starter free from the unit.



### SPECIFICATION / REPLACEMENT PARTS

<b>Unit</b>	Halo Shades
<b>Voltage</b>	230V ~ 50Hz
<b>Dimensions(mm)</b>	588 x 404 x 118
<b>Coverage</b>	80 Sq. Meters
<b>Weight</b>	5.7 Kg
<b>Light Output</b>	30W
<b>Tubes</b>	2 x TPX15-18
<b>Starter</b>	2 x I154
<b>Glueboards (x6)</b>	GB012 (Black) GB011 (Yellow)

