

In Counter Wasp Control

Please read these instructions carefully and store in a safe place for future reference.

NECTAR™

As part of the **Insect-O-Cutor®** brand of insect control products, **Nectar™** is a wasp trap for use in food display counter, which utilises a highly effective **Synergetic®** UV tube and is designed for use with high specification **glupac®** glueboards.

CONTENTS OF PACKAGE

- 1 x **Nectar™** wasp trap
- 2 x **glupac®** wasp attractant impregnated glueboards
- 1 x Mains cable (Type X)
- 1 x High powered **Synergetic®** UV tube (Fitted)
- 2 x Fixing screws and wall plugs
- 2 x Promotional material clips
- 2 x Under counter fixing brackets (Not available in Germany)
- 2 x Optional wasp attracting liquid trays
- 1 x Wasp attracting liquid dispensing pipette

WARNING - THIS APPLIANCE MUST BE EARTHED (CLASS 1)

INSECT CONTROL PRODUCTS

Nectar™ utilises a high powered ultra violet tube to attract wasps and other flying insects and retains the caught insects on two wasp attractant impregnated glueboards for inspection or hygienic disposal.

WARNING

Nectar™ is not to be used by children or persons with reduced physical, sensory or mental capabilities, or lack of experience and knowledge, unless they have been given supervision or instruction.

Children should be supervised to ensure they do not play with the appliance.

If the mains cable is damaged it must be replaced by a specialist mains cable available from P+L Systems Ltd or your supplier.

POSITIONING AND GUIDANCE FOR USING NECTAR™

THIS UNIT IS FOR INDOOR USE ONLY.

Nectar™ is designed to be placed inside a food counter and can be mounted in three positions inside the counter, either placed on the inside horizontal surface, under the counter top facing either towards or away from the food produce.

However, **Nectar™** can also be installed on a vertical wall in the style of a wall light fitting, where it should ideally be fixed around two meters above the ground, preferably in the darkest place within the area to be protected.

Nectar™ should ideally be in operation for 24 hours a day, ensuring your premises are kept free of flying insects. Insects are most attracted to **Nectar™** at night when there is no competition from daylight or other light sources.

An optional wasp attracting liquid can be used within **Nectar™** to further help attract wasps to the product. The liquid attractant can either be poured into the two removable plastic trays or topped up using the supplied pipette, as shown in the mounting instructions section of this document.

WARNING! SWITCH OF POWER SUPPLY BEFORE POURING THE WASP ATTRACTANT INTO THE TRAYS

INSTALLATION

INSTALLATION SHOULD BE CARRIED OUT BY SERVICE PERSONNEL ONLY, AFTER ENSURING THAT THE UNIT IS DISCONNECTED FROM THE MAINS SUPPLY.

Nectar™ has a swing down front guard which can be fixed either fully open (To achieve maximum light output), fully closed (To hide the caught insects) or at any point in between. Alternatively, the guard can be removed completely by unscrewing the two hinge screws and removing the spring washers. If over time the front guard becomes loose, simply tighten up the two hinge screws.

Counter base mounting (Mounting A) - To mount **Nectar™** on the inside of the counter, simply position the product at the back of the counter with the UV tube facing towards the food produce and counter opening. Alternatively position **Nectar™** at the front of the counter to catch the insects before they enter the food area. To fix promotional material to **Nectar™**, first remove the two bracket fixing screws already in position on **Nectar™**. Then attach the two supplied 'promotional material clips' into the correct slots in the metalwork, before replacing the two bracket fixing screws to hold them in place.

Wall mounting (Mounting B) - To mount **Nectar™** on the wall, first drill two fixing holes into the vertical mounting surface and then use the supplied wall plugs and fixing screws to secure the unit in position.

Under counter mounting, inwards (Mounting C) - To mount **Nectar™** on the inside top face of the counter facing inwards, first remove the two bracket fixing screws already in position on **Nectar™**. Then attach the two supplied 'under counter fixing brackets' into the correct slots in the metalwork, before replacing the two bracket fixing screws to hold them in place. The 'open' end of the brackets should face AWAY FROM the curved metal face of **Nectar™**. Then simply slide **Nectar™** onto the horizontal top mounting service of the counter, ensuring that it is held firmly in position.

Under counter mounting, outwards (Mounting D) - To mount **Nectar™** on the inside top face of the counter facing outwards, first remove the two bracket fixing screws already in position on **Nectar™**. Then attach the two supplied 'under counter fixing brackets' into the correct slots in the metalwork, before replacing the two bracket fixing screws to hold them in place. The 'open' end of the brackets should face TOWARDS the curved metal face of **Nectar™**. Then simply slide **Nectar™** onto the horizontal top mounting service of the counter, ensuring that it is held firmly in position.

Once **Nectar™** is installed in position, fit the **glupac®** glueboards in place as described in the glueboard replacement section of this document. Use the removable mains lead and plug to connect **Nectar™** to an appropriate power supply.

CLEANING

CLEANING SHOULD BE CARRIED OUT BY SERVICE PERSONNEL ONLY, AFTER ENSURING THAT THE UNIT IS DISCONNECTED FROM THE MAINS SUPPLY.

It is recommended that cleaning is carried out regularly when the glueboards are replaced. Once the **glupac®** glueboards are removed, the unit should be thoroughly wiped down with a damp cloth, removing any build up of dirt. Ensure the unit is completely dry before reconnecting it to the power supply.

GUARANTEE

Nectar™ has a two year guarantee and if maintained as recommended in these instructions should continue to work for many years.* Use of non-approved consumables may invalidate the guarantee. Ensure genuine glupac® glueboards are used in conjunction with this product. *Excludes tube, glueboards and starter. Does not cover breakdown due to misuse, incorrect operation or use in an incorrect application.

GLUEBOARD REPLACEMENT

BEFORE REPLACING THE GLUEBOARDS, ALWAYS ENSURE THAT THE UNIT IS DISCONNECTED FROM THE MAINS SUPPLY.

The glueboards should be replaced every month or when required with genuine glupac® glueboards. Use of non-approved glueboards may invalidate your guarantee. **Nectar™** comes supplied with two high specification yellow glueboards with impregnated wasp attractant, which include printed grids for simple insect evaluation and monitoring.

To replace the glueboards...

1. Use the two tabs to remove the used glupac® glueboards by carefully pulling them clear of the unit.
2. Remove the protective release paper from the new glupac® glueboards.
3. Pre-fold the new glueboards along the fold line.
4. Insert the top glueboard into the curved plastic glueboard runners, ensuring the two tabs are facing you.
5. Insert the bottom glueboard into the straight plastic glueboard runners, ensuring the two tabs are facing you.
6. Swing the front guard back to the desired position.

Always ensure the selected genuine glupac® glueboards are compatible with your unit, available from your pest control operator or P+L Systems Ltd.

TUBE REPLACEMENT

TUBE REPLACEMENT SHOULD BE CARRIED OUT BY SERVICE PERSONNEL ONLY, AFTER ENSURING THAT THE UNIT IS DISCONNECTED FROM THE MAINS SUPPLY.

To ensure the efficiency of **Nectar™** in catching flying insects, the UV tube should be replaced annually. After twelve months the phosphor coating that emits the correct wavelength of UV light has burnt away and the UV output is diminished substantially.

To replace the UV tube...

1. Swing down the front guard.
2. Rotate the tube through 90°, freeing it from the tube holders.
3. Pull the tube away from the chassis.
4. Dispose of the used UV tube in conjunction with local WEEE regulations.

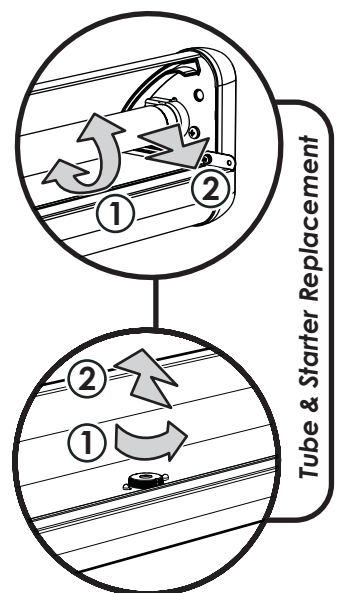
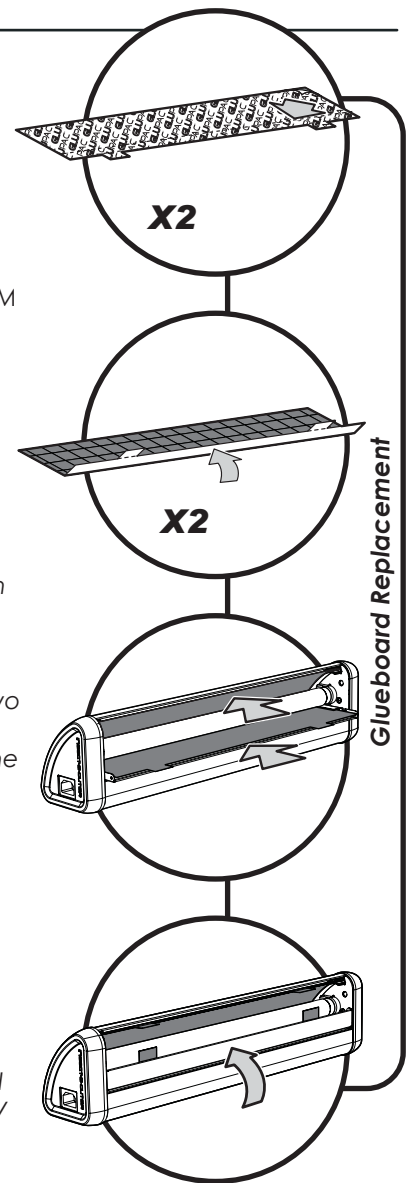
STARTER REPLACEMENT

STARTER REPLACEMENT SHOULD BE CARRIED OUT BY SERVICE PERSONNEL ONLY, AFTER ENSURING THAT THE UNIT IS DISCONNECTED FROM THE MAINS SUPPLY.

The starter provides an extra spark to initially light the UV tube. The starter wears out and should be replaced at the same intervals as the UV tube.

To replace the starter...

1. Rotate the starter anti-clockwise.
2. Pull the starter free from the unit.



SPECIFICATION / REPLACEMENT PARTS

Unit	Nectar	Light Output	15W
Voltage	230V ~ 50Hz	Tube	1 x TGX15-18S
Dimensions(mm)	505 x 120 x 100	Starter	1 x I154
Coverage	30 Sq. Meters (Wall mount only)	Glueboards (x12)	INL170 (Yellow)
Weight	1.9 Kg	Wasp Attractant	I200

MOUNTING INSTRUCTIONS

